

PNC	Type/Prefix/nd	Model		Brand
953900327 953900488	03	FOLIAGE 6-60 " "	(yellow)	McCulloch
953900328	03	FOLIAGE 6-70	(yellow)	McCulloch
953900337 953900341 953900490	03	HT 6-60 " " " "	(orange)	FLYMO
953900338	03	HT 6-70	(orange)	FLYMO

Number of Pages 1 of 3

Factory: IIQ - Valmadrera	Product Group: OP 93
Publication Number: MIPL2006_V040000004	Petrol Portable
Publication Date: 24/01/06	

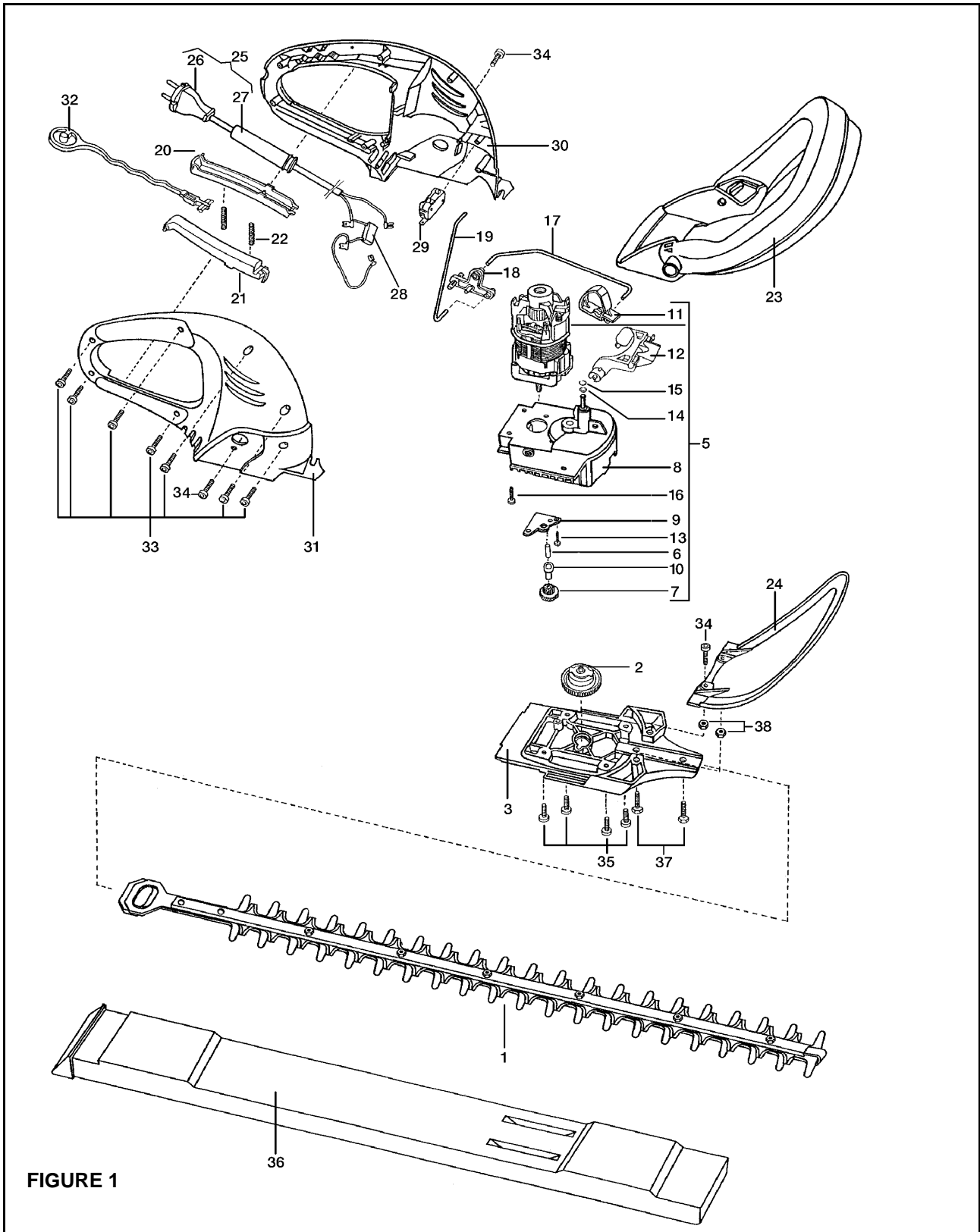


FIGURE 1

Item	P/N McC	P/N ELX	Qty	DESCRIPTION
------	---------	---------	-----	-------------

Item	P/N McC	P/N ELX	Qty	DESCRIPTION
------	---------	---------	-----	-------------

FIGURE 1

C 1	248862	538248862	1	6-60 blade ass'y
	248863	538248863	1	6-70 blade ass'y
C 2	248872	538248872	1	600W motor gear
3	248875	538248875	1	keep plate
	248876	538248876	1	grey keep plate
4	248866	538248866	1	dust cover
C 5	243336	538243336	1	600W motor
6	• 248869	538248869	1	pin
C 7	• 248870	538248870	1	pinion gear
8	• 248864	538248864	1	600W motor box
9	• 248873	538248873	1	metal strap
10	• 248874	538248874	1	spacer
C 11	• 248865	538248865	1	toggle lever
12	• 248877	538248877	1	linkage
C 13	• 248880	538248880	2	strap/pinion locking screw
14	• 248881	538248881	1	washer
15	• 248882	538248882	1	retaining ring
16	• 248883	538248883	4	motor box locking screw
17	242453	538242453	1	lower engaging lever
C 18	242342	538242342	1	control lever
19	242343	538242343	1	upper connecting rod
20	242344	538242344	1	upper control lever
	242359	538242359	1	grey upper control lever
21	242345	538242345	1	lower control lever
	242360	538242360	1	grey lower control lever
22	242346	538242346	2	control lever spring
23	242348	538242348	1	handle ass'y
	242361	538242361	1	grey handle ass'y
C 24	242347	538242347	1	guard
25	243333	538243333	1	wires (Schuko)
	243334	538243334	1	wires (UK)
26	• 242353	538242353	1	cable+pin (Schuko)
	• 242397	538242397	1	cable+pin (UK)
27	• 241051	538241051	1	fair lead
28	• 240794	538240794	1	radio interference suppressor
B 29	• 242354	538242354	1	micro switch
30	242262	538242262	1	left crankcase (2 switch)
	242391	538242391	1	orange left crankcase (2 switch)
31	242263	538242263	1	right crankcase (2 switch)
	242392	538242392	1	orange right crankcase (2 switch)
32	242266	538242266	1	wire holder
33	240862	538240862	7	M4x18 screw
34	242349	538242349	4	M6 screw
35	242350	538242350	4	M5 screw
36	242351	538242351	1	blades case
37	229959	538229959	2	M6x20 screw
38	217403	538217403	2	M6 nut

A=ALTA ROTAZIONE
 B=MEDIA ROTAZIONE
 C=ALTA ROTAZIONE
 NUOVI CODICI

A=HIGH MOVING
 B=MEDIUM MOVING
 C=SLOW MOVING
 NEW P. NUMBERS

A=HAUTE DEMANDE
 B=MOYENNE DEMANDE
 C=BASSE DEMANDE
 NOUVELLES REFERENCES

A=GROBE NACHFRAGE
 B=MITTELMAESSIGE
 C=WENIGE NACHFRAGE
 NEU CODEX